



2001, 2002, 2004, and 2005 Mechanical Seal for Vertical Type Agitation Equipment 2001型 (及2002, 2004, 2005型) 立式搅拌用机械密封

Structural Features: 2001 and 2002 are single ended, 2004 and 2005 are double ended, 2001 and 2002 are unbalanced, 2004 and 2005 are balanced, bearing transmission. The component is cartridge seal with easy installation. Anti counter pressure design increases the safety under emergency circumstances and accidents. The load on sealing faces are balanced.

1. When the sealed medium temperature is higher than 180 °C, the cooling water jacket is needed and the total installation height will need to be added by 100 mm.

2. When the pressure is bigger than 0.3 MPa, auxiliary sealing devices are required.
结构特点: 双端面 (2004, 2005型) 平衡型/单端面 (2001, 2002型) 非平衡型, 多弹簧, 任意旋向。多弹簧布置, 端面负荷均匀; 防反压设计, 提高密封在发生意外情况下的安全; 夹紧传动、安全可靠, 无方向性; 结构紧凑, 适用范围广; 集装结构, 安装简单, 便捷, 运行可靠。

1. 当介质温度超过180 °C时须增加冷却腔, 整体安装高度增加100 mm.

2. 当压力大于等于0.3 MPa时, 须配置密封辅助装置。

Standards: HG21571-95, DIN28138, HG/T2098-2011

符合标准: HG21571-95, DIN28138, HG/T2098-2011

Scopes of Application: mainly used in top driven vertical type agitation equipment, which does not have strict requirements for leakproofness. This component can work as an alternative to M461 (2001 and 2002) or M481 (2004 and 2005) of Burgmann. Widely used in chemical engineering, metallurgy, pharmacy, food processing, pesticides and fertilizers, and oil refining industry. This seal component works as an alternative to EagleBurgmann M481.

应用领域: 广泛应用于化工、冶炼、制药、食品、农药、化肥、炼油等领域。可同立式反应釜、干燥机、蒸发器等配套, 可替代EagleBurgmann M481同规格产品。

Materials

Rotary Ring Face: SiC/Carbon
Stationary Ring Face: TC/SiC
Elastomers: NBR/Viton/EPDM/PTFE/FFKM
Springs: SS304/SS316/HC-276
Metal Parts: SS304/SS316/SS316L

材料

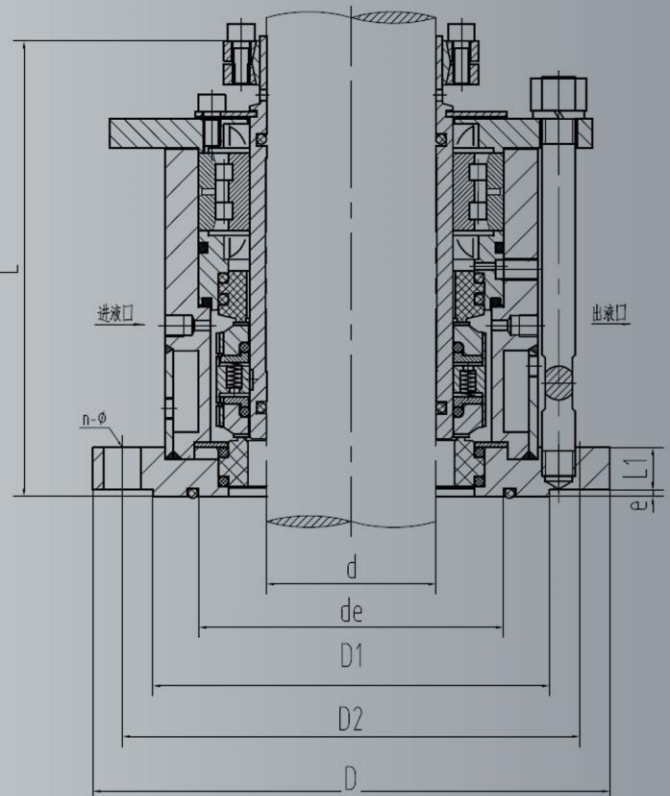
旋转环端面: 碳化硅/石墨
静止环端面: 碳化钨/碳化硅
辅助密封: 丁腈橡胶/氟橡胶/
三元乙丙橡胶/聚四氟乙烯/
全氟醚橡胶
弹簧: SS304/SS316/HC-276
金属部件: SS304/SS316/SS316L

Inner Diameter: 30 mm to 220 mm
规格范围: 30 mm - 220 mm

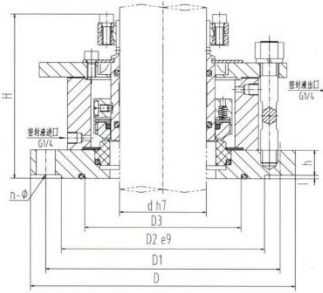
Operation Parameters

Pressure: - 0.1 ~ 1.6 MPa
Temperature: - 40 ~ 180 °C
Linear Speed: ≤ 2 m/s
运行参数
压力: - 0.1 ~ 1.6 MPa
温度: - 40 ~ 180 °C
线速度: ≤ 2 m/s

Mediums: water, oil, weak acid, weak alkali, and other normal subjects (2001 and 2002) OR flammable, explosive and poisonous gas (2004 and 2005). 适用介质: 水、油、弱酸、弱碱、易燃、易爆、有毒气体等工况。

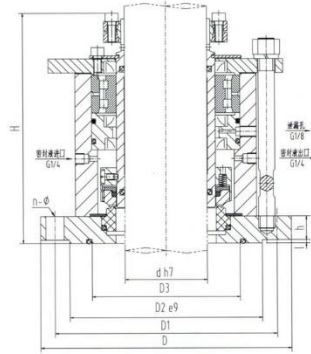


2001, 2002, 2004 and 2005 Mechanical Seal Dimension Chart - 2001, 2002, 2004和2005型机械密封尺寸对照表



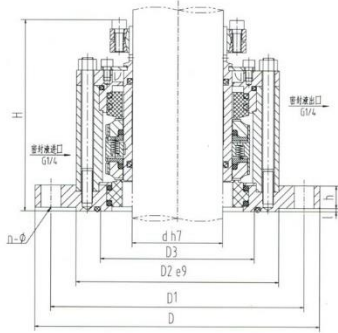
d	D	D1	D2	D3	H	h	l	n-Φ
30	175	145	110	90	135	18	5	4-Φ18
40	175	145	110	90	135	18	5	4-Φ18
50	240	210	176	135	140	20	5	8-Φ18
60	240	210	176	135	150	20	5	8-Φ18
70	240	210	176	135	160	20	5	8-Φ18
80	275	240	204	155	160	24	5	8-Φ22
90	305	270	234	190	170	24	5	8-Φ22
100	305	270	234	190	170	24	5	8-Φ22
110	330	295	260	215	195	24	5	8-Φ22
120	330	295	260	215	195	24	5	8-Φ22
130	330	295	260	215	200	24	5	8-Φ22
140	395	350	313	250	200	24	5	12-Φ22
160	395	350	313	265	205	28	5	12-Φ22
180	445	400	364	310	210	28	5	12-Φ22
200	445	400	364	310	215	28	5	12-Φ22
220	505	460	422	340	220	28	5	16-Φ22

2001



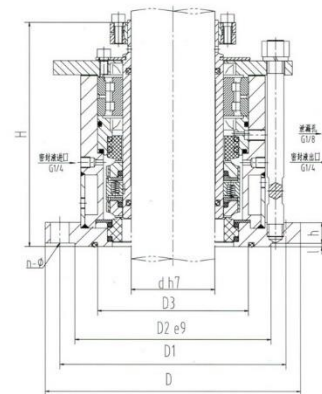
d	D	D1	D2	D3	H	h	l	n-Φ
30	175	145	110	90	215	18	5	4-Φ18
40	175	145	110	90	215	18	5	4-Φ18
50	240	210	176	135	230	20	5	8-Φ18
60	240	210	176	135	240	20	5	8-Φ18
70	240	210	176	135	280	20	5	8-Φ18
80	275	240	204	155	280	24	5	8-Φ22
90	305	270	234	190	280	24	5	8-Φ22
100	305	270	234	190	280	24	5	8-Φ22
110	330	295	260	215	290	24	5	8-Φ22
120	330	295	260	215	290	24	5	8-Φ22
130	330	295	260	215	305	24	5	8-Φ22
140	395	350	313	250	305	24	5	12-Φ22
160	395	350	313	265	310	28	5	12-Φ22
180	445	400	364	310	315	28	5	12-Φ22
200	445	400	364	310	320	28	5	12-Φ22
220	505	460	422	340	325	28	5	16-Φ22

2002



d	D	D1	D2	D3	H	h	l	n-Φ
30	175	145	110	90	135	18	5	4-Φ18
40	175	145	110	90	135	18	5	4-Φ18
50	240	210	176	135	140	20	5	8-Φ18
60	240	210	176	135	150	20	5	8-Φ18
70	240	210	176	135	160	20	5	8-Φ18
80	275	240	204	155	160	24	5	8-Φ22
90	305	270	234	190	170	24	5	8-Φ22
100	305	270	234	190	170	24	5	8-Φ22
110	330	295	260	215	195	24	5	8-Φ22
120	330	295	260	215	195	24	5	8-Φ22
130	330	295	260	215	200	24	5	8-Φ22
140	395	350	313	250	200	24	5	12-Φ22
160	395	350	313	265	205	28	5	12-Φ22
180	445	400	364	310	210	28	5	12-Φ22
200	445	400	364	310	215	28	5	12-Φ22
220	505	460	422	340	220	28	5	16-Φ22

2004



d	D	D1	D2	D3	H	h	l	n-Φ
30	175	145	110	90	215	18	5	4-Φ18
40	175	145	110	90	215	18	5	4-Φ18
50	240	210	176	135	230	20	5	8-Φ18
60	240	210	176	135	240	20	5	8-Φ18
70	240	210	176	135	280	20	5	8-Φ18
80	275	240	204	155	280	24	5	8-Φ22
90	305	270	234	190	280	24	5	8-Φ22
100	305	270	234	190	280	24	5	8-Φ22
110	330	295	260	215	290	24	5	8-Φ22
120	330	295	260	215	290	24	5	8-Φ22
130	330	295	260	215	305	24	5	8-Φ22
140	395	350	313	250	305	24	5	12-Φ22
160	395	350	313	265	310	28	5	12-Φ22
180	445	400	364	310	315	28	5	12-Φ22
200	445	400	364	310	320	28	5	12-Φ22
220	505	460	422	340	325	28	5	16-Φ22

2005